



ABSOLUTE ROMAN BLIND

Absolute Roman Blind is characterized by easy assembly and offers options for top-down/bottom-up and motorisation

coulisse

Disclaimer

© Copyright Coulisse

All rights reserved. No part of this publication may be reproduced, stored in a retrieval system, or transmitted, in any form, by any means, electronic, mechanical, photocopying, recording, digital or otherwise without the written permission of the publisher. Although this publication has been composed with the utmost care, Coulisse B.V. does not accept any responsibility for damage due to mistakes and/or faults in this publication. Coulisse B.V. reserves the right to revise this publication and to revise and/or change its content at any time, without obligation to notify any person or entity of such revisions or changes. The most recent version replaces older versions of this publication. The most recent version is available at the Coulisse customer portal or your Coulisse contact. Please send your remarks and/or comments about this publication to info@coulisse.com.

INDEX

General information	4
Highlight	5
Motorisation	6
System specifications	7
Configurations	10
Parts lists	14
Collections	17
Documentation	18
Service and support	19

Download this brochure in PDF from our
website www.coulisse.com



GENERAL INFORMATION

Absolute Roman Blind is a unique and innovative roman blind system which is characterized by easy assembly and compact design. The unique design of the control unit (available in 1:1 and 1:4) ensures a quiet, efficient operation and rapid assembly and disassembly of the rod with click or screw. The patented design of the cord spool allows for a one-way assembly and an automatic alignment of the spools. After installation the position of the spools can easily be adjusted. The slim rail is clicked into a patented and invisible installation clip after which the cords and fabric can easily be attached and detached. The system is suitable for motorisation and can be converted into a top-down/bottom-up system with only four additional components.

ADVANTAGES

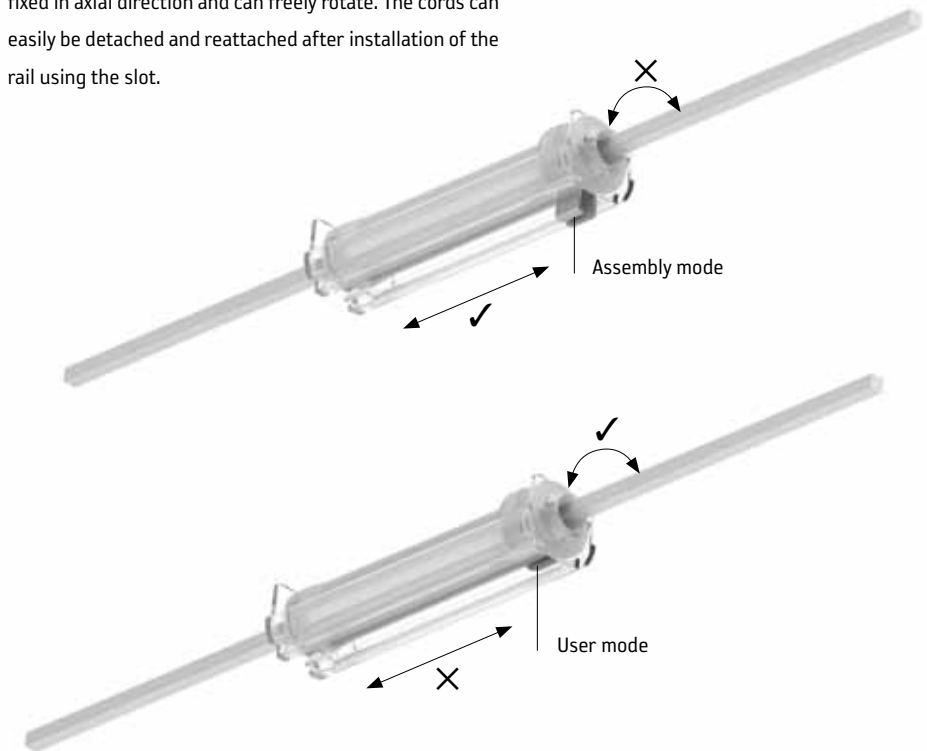
- Compact design
- Quick, one-way assembly of patented cord spool
- Easy and efficient assembly and installation
- Flexible position of cord spool after assembly without use of tools
- Cords can easily be detached and reattached after installation of the system
- Silent and efficient operation
- Options: top-down/bottom-up and motorisation



PATENTED CORD SPOOL FOR QUICK ASSEMBLY

The patented design of the cord spool allows for a one-way assembly of the spools and an automatic alignment of the spools. After installation the position of the spools can easily be adjusted.

The spool has an assembly mode and a user mode. In assembly mode the spool is fixed and cannot rotate. This way you can easily slide the spools across the rod in only one way and place them on the desired position. The spool is set in user mode by pushing in the slot. The spool is now fixed in axial direction and can freely rotate. The cords can easily be detached and reattached after installation of the rail using the slot.



MIDDLE MOTOR

The Coulisse middle motor for roman blinds is completely integrated in the rail. This eliminates the necessity for extra components such as stoppers or receivers. The motor is easy to install, program and operate.

The middle motor is part of the Absolute Control range for the automation of blinds. The system is characterized by easy and wireless programming and operation from a distance. All motors can be operated with a single remote control. With the Coulisse Solar Strip - a plug and play power supply that works on solar energy - the system is completely wireless.



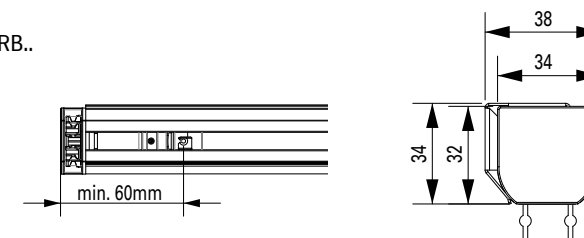
SYSTEM SPECIFICATIONS

Absolute Roman Blind

Operation	Max. width (cm) ¹	Max. height (cm) ¹	Max. weight (Kg)
Control unit 1:1	360	350	3,0 ²
Control unit 1:4	360	350	6,0

¹min. width 33cm., max. surface 9m²

²max. 1.5 Kg. by use of single pitch ball chain V15P../RB..

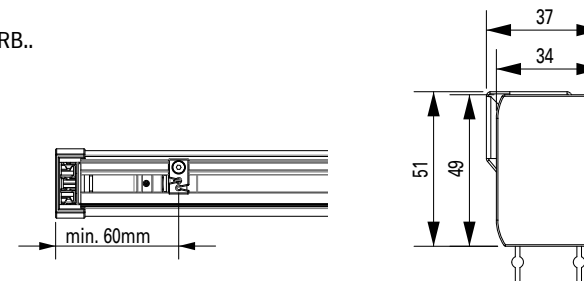


Top-down/bottom-up

Operation	Max. width (cm) ¹	Max. height (cm) ¹	Max. weight (kg)
Control unit 1:1	230	350	3,0 ²
Control unit 1:4	230	350	6,0

¹min. width 57cm., max. surface 9m²

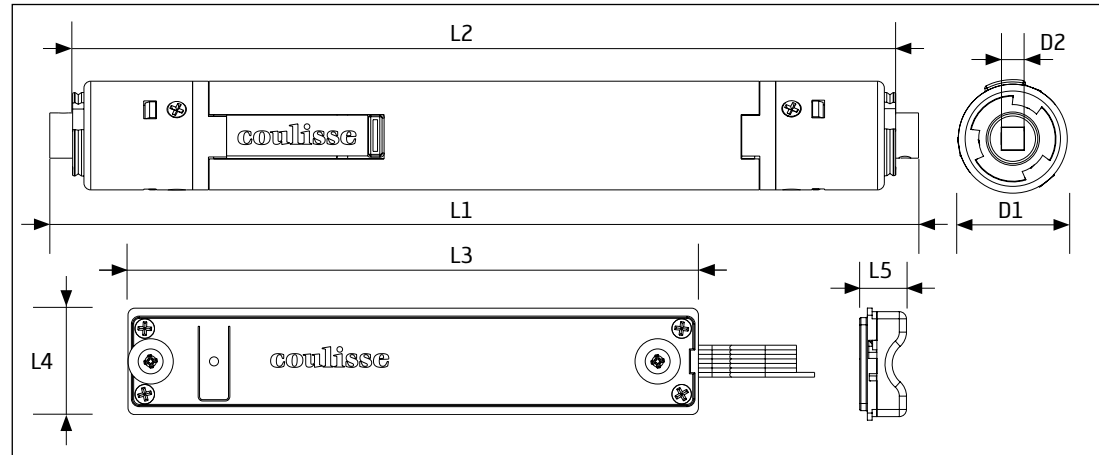
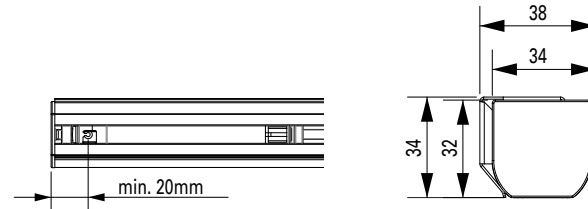
²max. 1.5 Kg. by use of single pitch ball chain V15P../RB..



Motorized

Operation	Max. width (cm) ¹	Max. height (cm) ¹	Max. weight (kg)
ABC-17 middle motor	360	350	4,5

¹min. width 44cm., max. surface 9m²



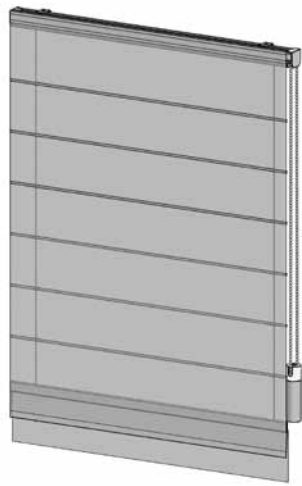
Type	L1	L2	L3	L4	L5	Ø D1	□ D2
ABC-17	192	182	126	24	9	24	5

Type	Power supply	Rated power	Max. lifting weight	Max. Torq - rpm	Operating temp.	Max. channels to pair
ABC-17	12-24VDC	0.6A-7W	4,5 kg	0.8Nm-28 rpm	5°-60°	32 channels

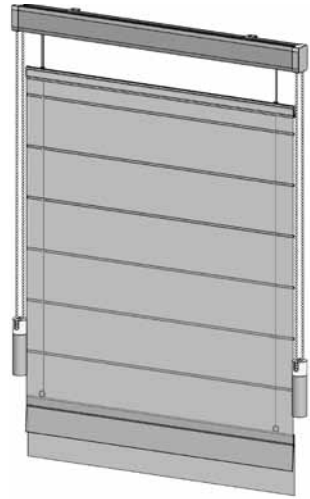
width (cm)	Number of cord spools	
	Absolute Roman Blind & motorized	Absolute Roman Blind - top-down/bottom-up
.. - 85	2	4
85 - 130	3	6
130 - 180	4	8
180 - 230	5	10
230 - 300	6	x
300 - 360	7	x

width (cm)	Number of clips
	Absolute Roman Blind (all configurations)
.. - 80	2
80 - 120	3
120 - 180	4
180 - 220	5
220 - 300	6
300 - 360	7

CONFIGURATIONS



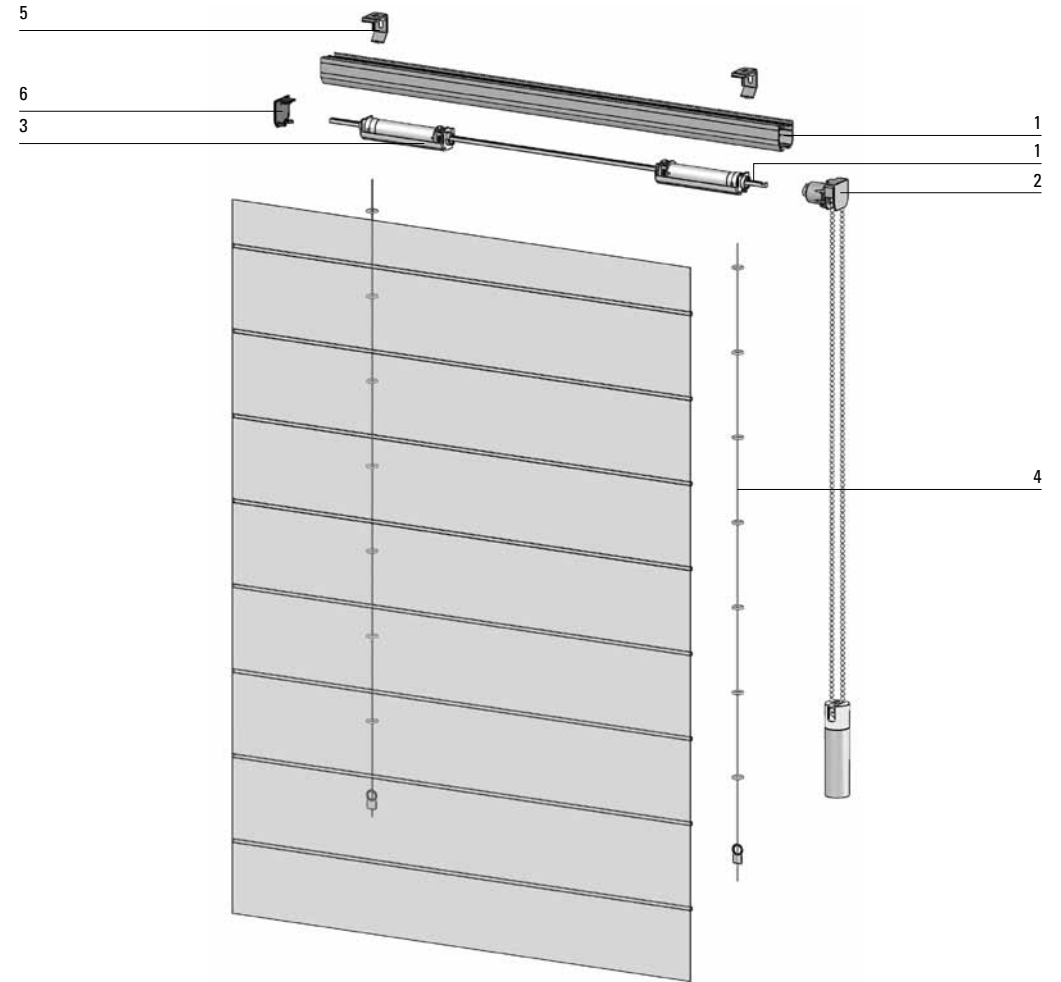
Absolute Roman Blind



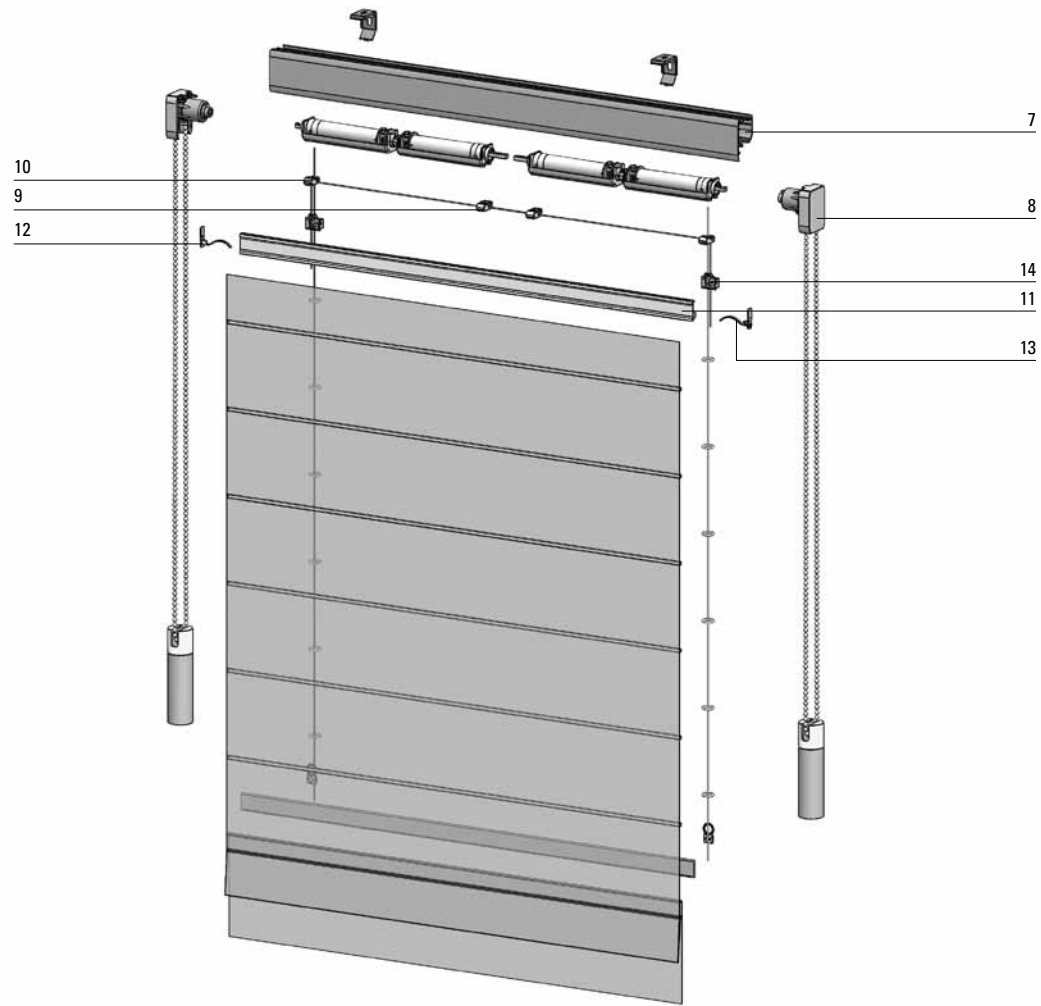
Absolute Roman Blind
top-down/bottom-up



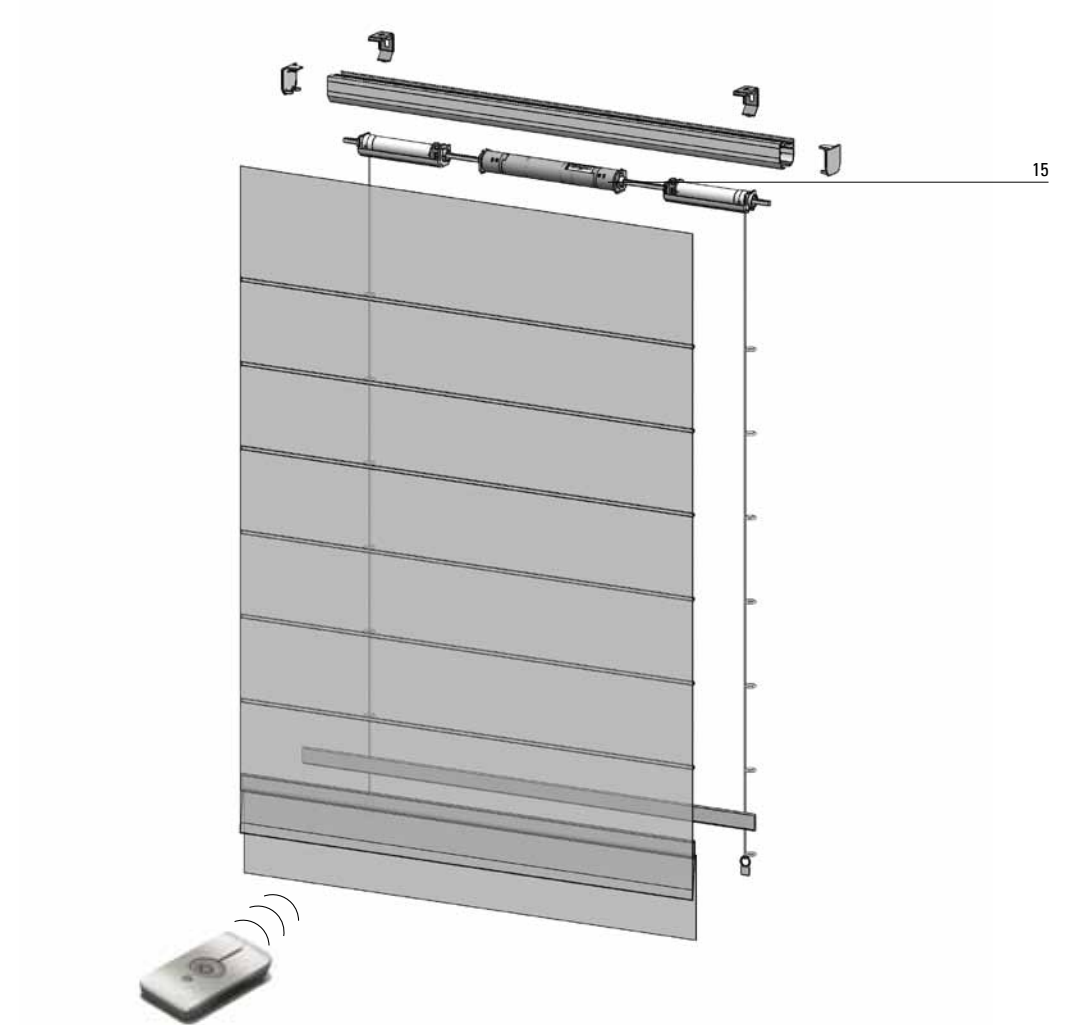
Absolute Roman Blind
motorized



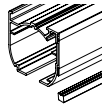
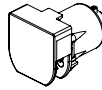
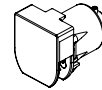
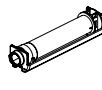

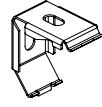
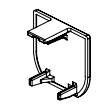
CONFIGURATIONS
Absolute Roman Blind
top-down/bottom-up



CONFIGURATIONS
Absolute Roman Blind
motorized

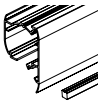
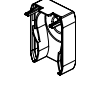

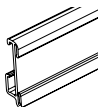


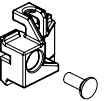


ABSOLUTE ROMAN BLIND

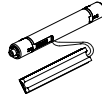
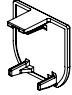
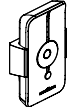
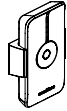
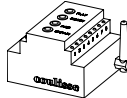


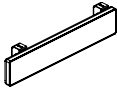
Pos	Code	Description	Inner Carton	Outer Carton	
1	RSC01-RAS04	Rail 580cm incl. rod square 5mmx5mm white	58 mtr/Carton	58 mtr/Carton	
2	RSC02	Control unit 1:1 white	100 set/Carton	400 set/Carton	
2	RSC02-RH	Control unit geared 1:4 white	100 set/Carton	400 set/Carton	
3	RSC05-06	Cord spool set	100 set/Bag	400 set/Carton	
4	RSC17-W	Cord 350cm white	100 pcs/Bag	2000 pcs/Carton	
5	RSC08	Bracket	100 pcs/Bag	800 pcs/Carton	
6	RSC03	End cap white	500 pcs/Bag	5000 pcs/Carton	

For chains and accessories see www.coulisse.com

TOP-DOWN/BOTTOM-UP

Pos	Code	Description	Inner Carton	Outer Carton	
7	RSC01TD-RAS04	Rail 580cm incl. rod square 5mmx5mm white	58 mtr/Carton	58 mtr/Carton	
8	RSC03TD	End cap top-down white	500 pcs/Bag	5000 pcs/Carton	
9	RSC15TD	Cord conductor top-down white	400 pcs/Bag	4000 pcs/Carton	
10	RSC16TD	Cord outlet top-down white	400 pcs/Bag	4000 pcs/Carton	
11	PTC28V-W	Velcro profile 300cm white	120 mtr/Carton	120 mtr/Carton	
12	PTC26VL-W	End cap velcro left white	500 pcs/Bag	5000 pcs/Carton	
13	PTC26VR-W	End cap velcro right white	500 pcs/Bag	5000 pcs/Carton	
14	RSC18TD	Cord connector top-down white	400 pcs/Bag	4000 pcs/Carton	

MOTORIZED

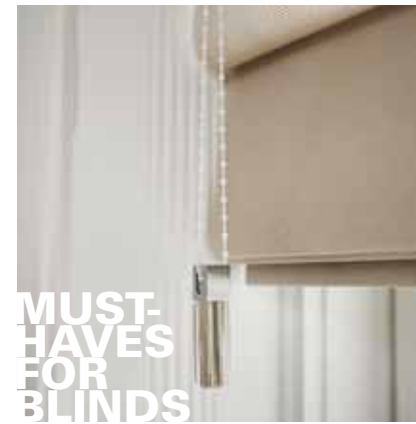
Pos	Code	Description	Inner Carton	Outer Carton	
15	ABC-17	Middle motor	1 pcs/Carton	70 pcs/Carton	
/	RSC03	End cap white	500 pcs/Bag	5000 pcs/Carton	
/	ABC-01-W	Remote made to measure inclusive holder white	1 set/Carton	80 set/Carton	
	ABC-01-S	Remote made to measure inclusive holder silver	1 set/Carton	80 set/Carton	
/	ABC-20-W	One-channel remote control white	1 set/Carton	80 set/Carton	
/	ABC-19	Domotica box	1 pcs/Carton	1 pcs/Carton	
/	ABC-11-W	Adaptor 1.5A - 12V DC 100V-240V AC white	1 pcs/Carton	50 pcs/Carton	
/	ABC-13-W	Battery tube 10 batteries white	1 pcs/Carton	100 pcs/Carton	
/	ABC-21-W ABC-21-S	Solar power supply	1 pcs/Carton	1 pcs/Carton	

COLLECTIONS

Please visit www.coulisse.com for our wide collection of fabrics for roman blinds, such as luxurious Eco and elegant paper fabrics for a beautiful light. A wide variety of cord and chain weights is available to finish the blind to every detail.

REMOTE CONTROLS

POWER SUPPLIES



MUST-HAVES FOR BLINDS



TRANSPARENT NATURE FABRICS



ELEGANT PAPER FABRICS



LUXURIOUS ECO

DOCUMENTATION

Please visit www.coulisse.com and login to the Coulisse customer portal for the following documentation. If you do not have a login code for the portal please contact your contact at Coulisse.

- Manuals
- Data sheets
- Calculation sheet

Related documents:

Assembly manual Absolute Roman Blind
Calculation sheet Absolute Roman Blind

Compatible motors:

ABC-17 Middle motor

Remote controls:

ABC-01 Remote control
ABC-20 One-channel remote control
ABC-19 Domotica box

Power supplies:

ABC-11 Adaptor 1.5A - 12V DC
ABC-13 Battery tube
ABC-21 Solar strip
ABC-10 Extension cable for power supply

SERVICE AND SUPPORT

For more information regarding this product or other Coulisse products, please visit www.coulisse.com or login to the Coulisse customer portal. If you do not have a login account or if you would like more information about technical and/or marketing support please contact your contact at Coulisse.



coulisse

Coulisse B.V.
Vonderweg 48
7468 DC Enter
The Netherlands

T +31 547 85 55 55

F +31 547 85 55 50

E info@coulisse.com

I www.coulisse.com